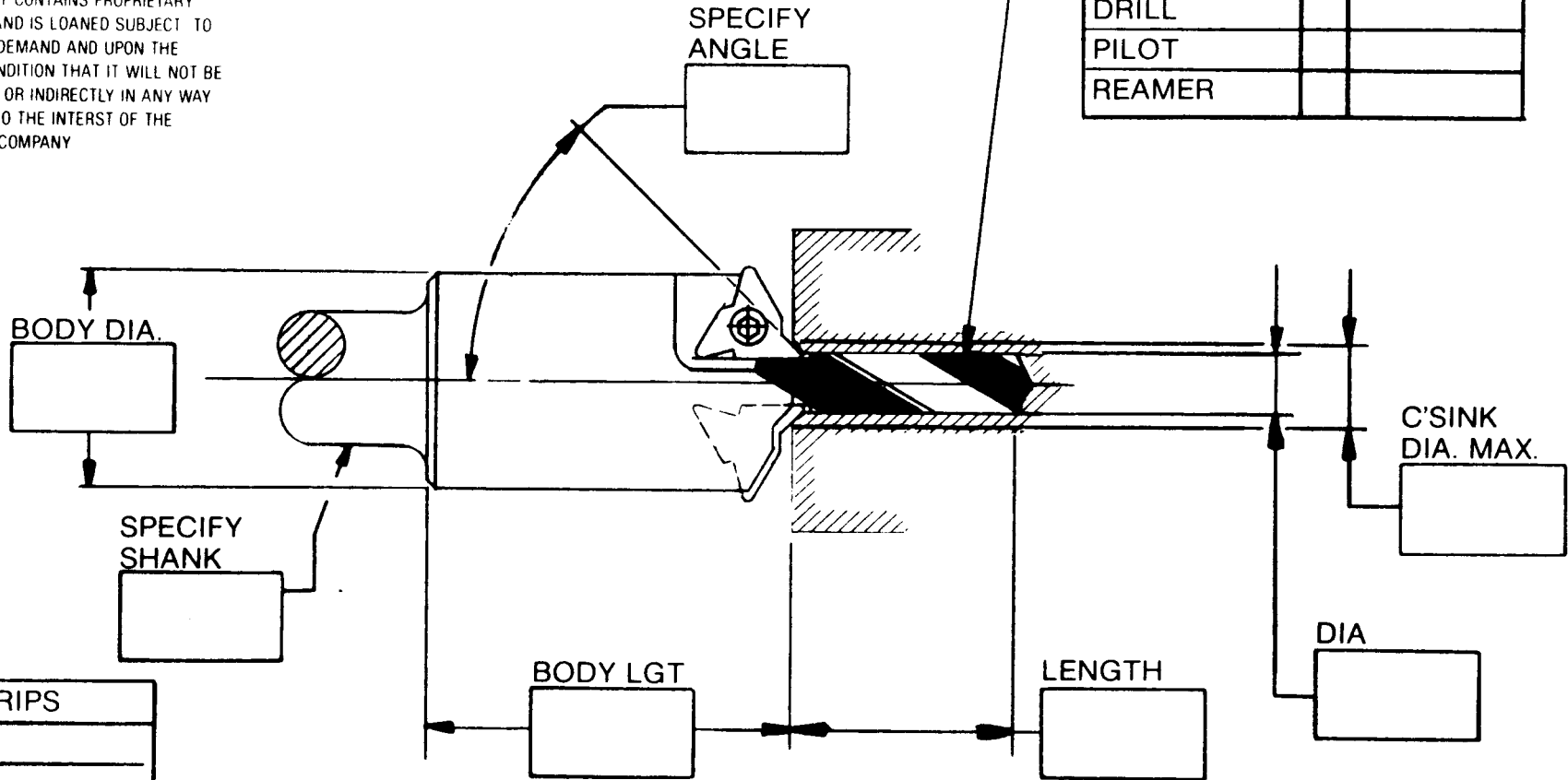


THIS DOCUMENT CONTAINS PROPRIETARY INFORMATION AND IS LOANED SUBJECT TO RETURN UPON DEMAND AND UPON THE EXPRESSED CONDITION THAT IT WILL NOT BE USED DIRECTLY OR INDIRECTLY IN ANY WAY DETRIMENTAL TO THE INTEREST OF THE EVEREDE TOOL COMPANY

SPECIFY	✓	DIA.
DRILL		
PILOT		
REAMER		



WEARSTRIPS	
DIA.:	_____
NO. REQ'D:	_____
BRAZED CARB.	<input type="checkbox"/>
BRONZE	<input type="checkbox"/>
TOOL STEEL	<input type="checkbox"/>

SPECIAL EVERSINK®

ET-1160-4

Name: _____
 Title: _____
 Phone: _____
 Date: _____
 Dist. Name: _____
 No. Req'd.: _____
 Mat'l: _____ HDN _____

Co. Name: _____
 Co. Add.: _____
 Cust. Tool No.: _____
 Part Print No.: _____
 Other: _____



EVEREDE TOOL CO.
 5296 N. NORTHWEST HWY
 CHICAGO, IL 60630
 773-467-4200
 FAX 773-467-4210